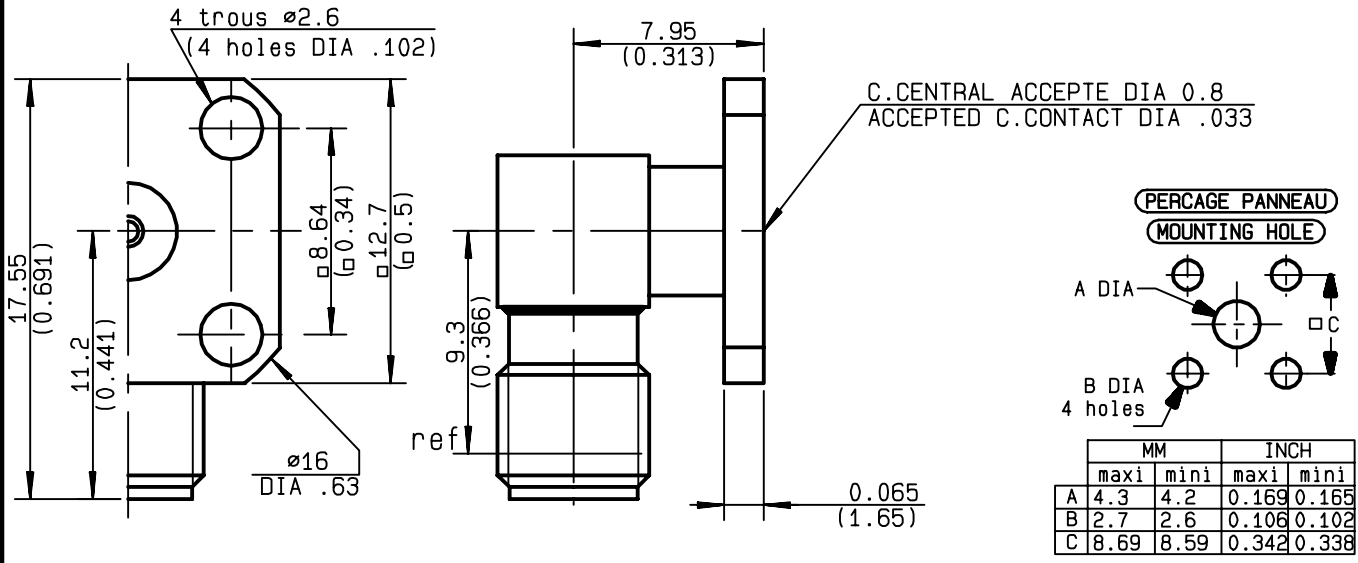



**RIGHT ANGLE SQUARE FLANGE JACK RECEPT.  
WITH AUXILLIARY CONTACT**

**R125.670.001**  
**SERIES SMA**



NOMINAL IMPEDANCE	<b>50</b> Ω	CABLES :	
FREQUENCY RANGE	<b>0-18</b> GHz		
TEMPERATURE RATING	<b>-65/+165</b> °C		
V.S.W.R	<b>1.065</b> + <b>.0025</b> x F(GHz)Maxi		
RF INSERTION LOSS	<b>0.07</b> √F(GHz) dB Maxi		
VOLTAGE RATING	<b>500</b> Veff Maxi		
DIELECTRIC WITHSTANDING VOLTAGE	<b>1000</b> Veff Mini		
INSULATION RESISTANCE	<b>5000</b> MΩMini		
HERMETIC SEAL	<b>NA</b> Atm.cm <sup>3</sup> /s		
LEAKAGE (pressurized only)	<b>NA</b>		
MECHANICAL DURABILITY	<b>500</b> Cycles	OTHERS CHARACTERISTICS	
WEIGHT	gr	CABLE RETENTION	<b>NA</b> N Mini
SPECIFICATION		CENTER CONTACT RETENTION	
		Axial force - mating end	<b>27</b> N Mini
		Axial force - opposite end	<b>27</b> N Mini
		Torque	<b>2.8</b> cm.N Mini
		RECOMMENDED TORQUES	
		Mating	<b>NA</b> cm.N
		Panel nut	<b>NA</b> cm.N
		Clamp nut	<b>NA</b> cm.N

CONNECTOR PARTS	MATERIALS	FINISH	(all values are given in micrometers)
BODY	STAINLESS STEEL	PASSIVATED	
OUTER CONTACT			
CENTER CONTACT	BERYLLIUM COPPER	GOLD 1.3 OVER NICKEL 2	
INSULATOR	PTFE	-	
GASKET		-	
OTHERS PIECES			

AGRIODOS	ISSUE <b>9840E01</b>	CREATION DATE <b>01/10/1988</b>	FILE PART-NUMBER		<b>RADIALL</b> ®
----------	-------------------------	------------------------------------	------------------	--	------------------

The information given here is subject to change without notice. Design changes may be in order to improve the product .